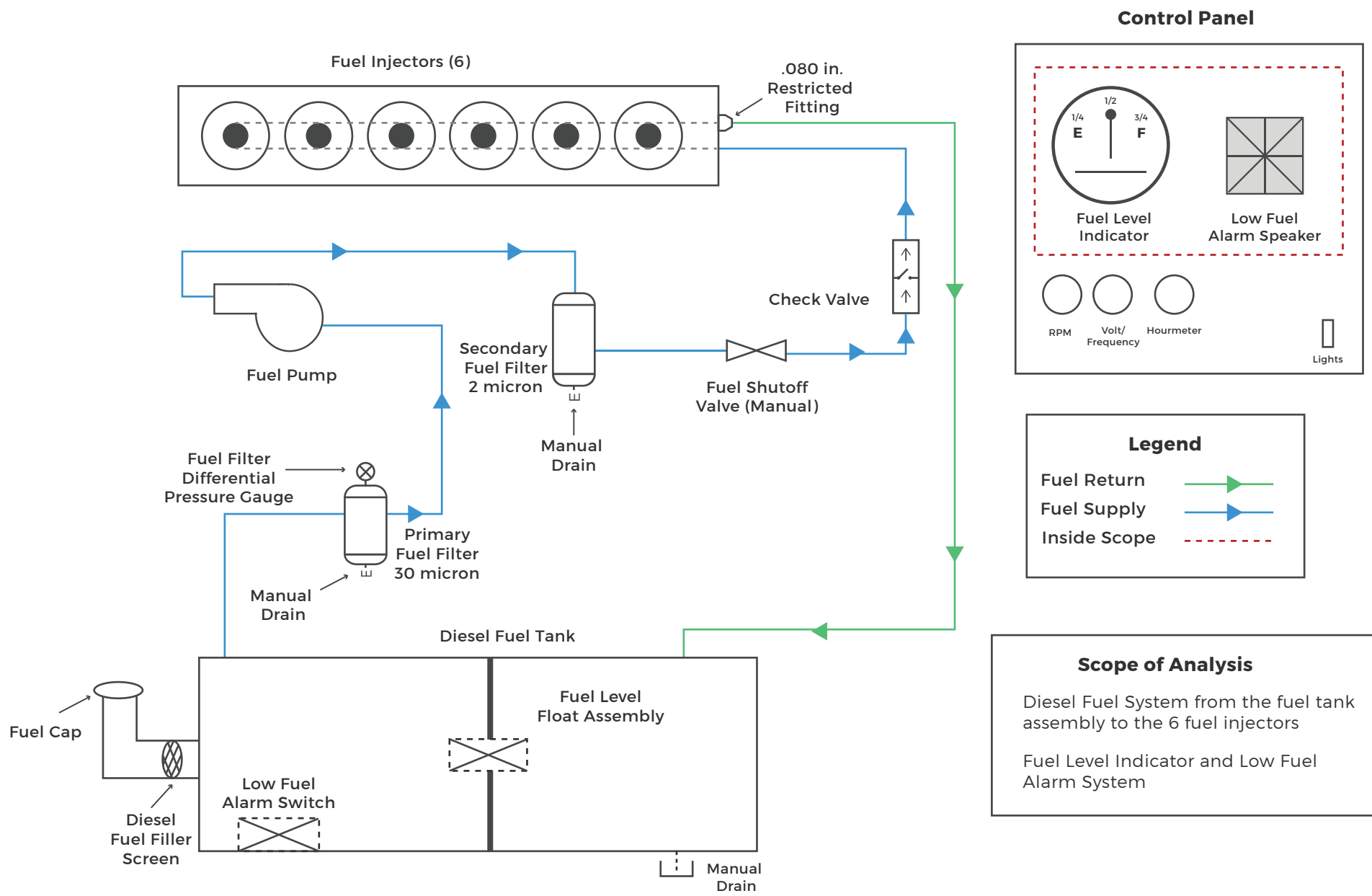


# DIESEL GENERATOR FUEL SYSTEM SCHEMATIC



\*For training purposes only.